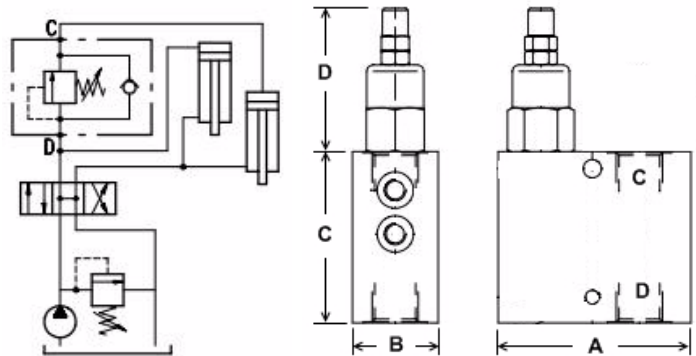


### SEQUENCE VALVES

Aluminium body - Steel bodied units available on request - add suffix AC

These are a direct acting guided poppet type valve. It allows flow from D to C when the pressure in D achieves the spring setting. Should there be pressure in C then the opening pressure at D will be the same as the spring setting pressure plus the pressure in C. Flow from C to D is free via a check valve.

Spring Range Options	
Code	bar
TB	5-50
TV	20-80
TS	50-220
TR	100-350



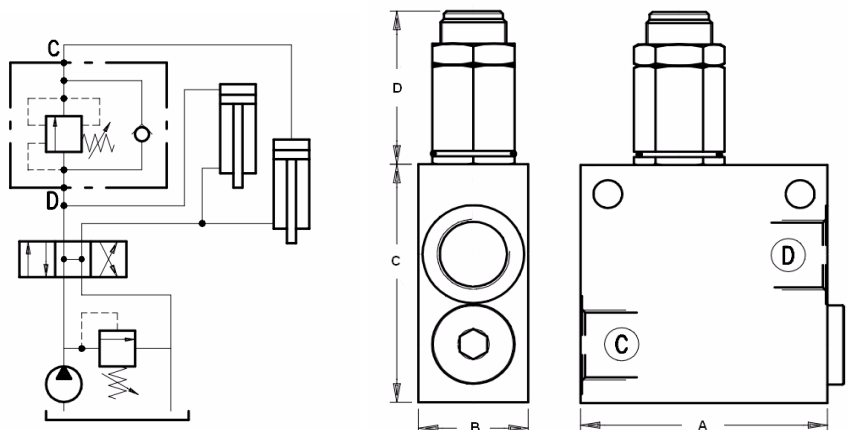
Part No. (with TS Spring option)	Ports BSPP	M.W.P. BAR Alum	M.W.P. BAR Steel	Spring Options				Dim. (mm)				Nom Flow L/min
				TB	TV	TS	TR	A	B	C	D	
VDSRL/03-14/TS.S	1/4"	210	350	5-50	NIL	20-220	180-400	65	30	70	53	10
VDSRL/05-38/TS.S	3/8"			5-50	20-80	50-220	180-350	80	35	70	60	25
VDSRL/10-12/TS.S	1/2"			5-40	20-80	50-220	180-350	90	40	80	67	50
VDSRL/20-34/TS.S	3/4"			5-40	20-80	50-220	180-350	110	50	100	76.5	120

### SEQUENCE VALVES

Aluminium body - Steel bodied units available on request - add suffix AC

These are a differential piston type valve. It allows flow from D to C when the pressure in D achieves the spring setting. Back pressure in C has no effect on the opening pressure of D. Flow from C to D is free via a check valve.

Spring Range Options	
Code	bar
TB	5-50
TV	20-80
TS	50-220
TR	100-350



Part No. (with TS Spring option)	Ports BSPP	M.W.P. BAR Alum	M.W.P. BAR Steel	Spring Options				Dim. (mm)				Nom Flow L/min
				TB	TV	TS	TR	A	B	C	D	
VDSD/B-38/TS.S	3/8"	210	350	5-50	20-100	50-220	100-350	60	30	74	59	30
VDSD/B-12/TS.S	1/2"			5-50	20-100	50-220	100-350	70	35	80	58	60
VDSD/B-34/TS.S	3/4"			5-50	20-100	50-220	100-350	90	40	90	58	120
VDSD/B-100/TS.S	1"			5-50	20-100	50-220	100-350	90	60	126	51.5	200