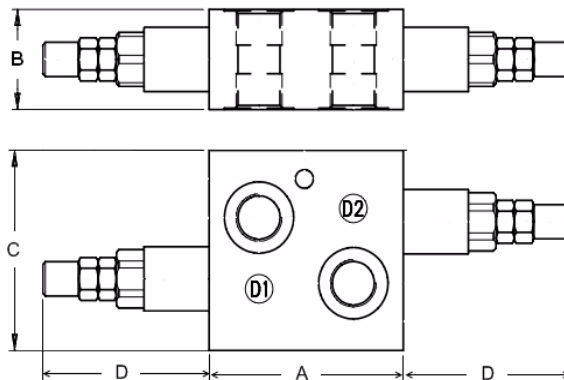
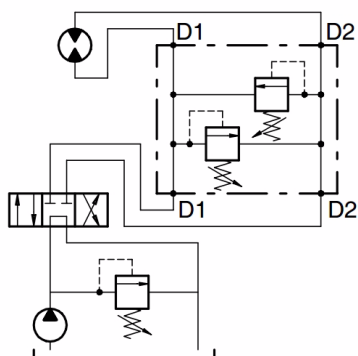


DUAL CROSS LINE RELIEF VALVES

Direct acting poppet type - Aluminium body - Steel bodied units available on request - add suffix AC

Spring Range Options	
Code	bar
TB	5-40
TV	20-80
TS	50-220
TR	180-350

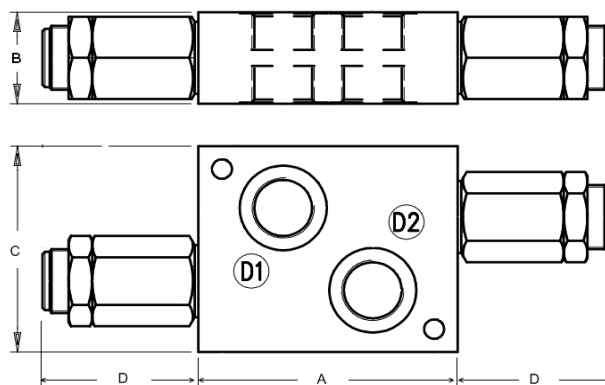
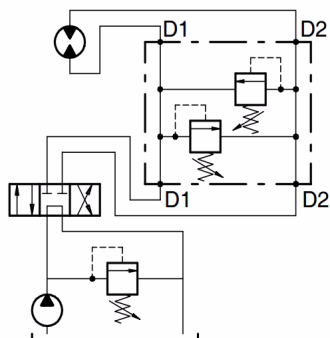


Part No. (with TS Spring option)	Ports BSPP	M.W.P. BAR Alum	M.W.P. BAR Steel	Dim. (mm)				Nom Flow
				A	B	C	D	L/min
VAIL/5-38/TS.S	3/8"	220	350	70	35	70	60	25
VAIL/5-12/TS.S	1/2"			70	35	75	60	35
VAIL/10-12/TS.S	1/2"			82	40	90	67	50
VAIL/10-34/TS.S	3/4"			82	40	90	67	50
VAIL/20-34/TS.S	3/4"			95	50	100	76.5	100
VAIL/20-100/TS.S	1"			95	50	120	76.5	180

DUAL CROSS LINE RELIEF VALVES

Differential piston type - Aluminium body - Steel bodied units available on request - add suffix AC

Spring Range Options	
Code	bar
TB	5-40
TV	20-80
TS	50-220
TR	180-350



Part No. (with TS Spring option)	Ports BSPP	M.W.P. BAR Alum	M.W.P. BAR Steel	Dim. (mm)				Nom Flow
				A	B	C	D	L/min
VADDL-38/TS.S	3/8"	210	350	90	30	65	53	35
VADDL-12/TS.S	1/2"			100	35	70	57	60
VADDL-34/TS.S	3/4"			110	40	90	66	120
VADDL-100/TS.S	1"			110	50	100	66	180