

LINE MOUNT VALVES

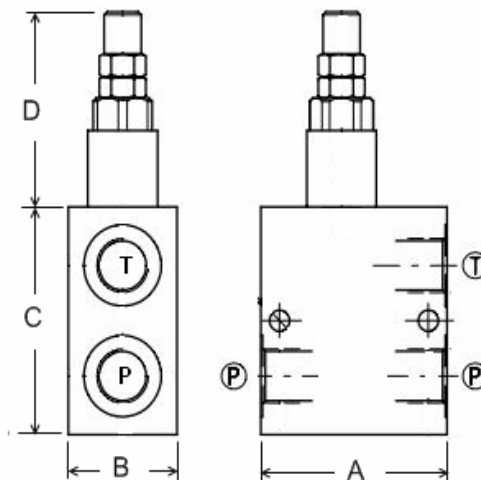
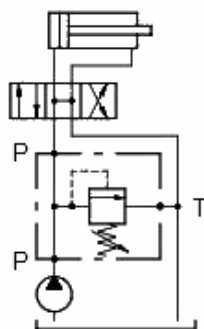
RELIEF VALVES

DIRECT ACTING POPPET

Aluminium body

NB: Steel bodied units available upon request - add suffix AC

Spring Range Options	
Code	bar
TB	5-40
TV	20-80
TS	50-220
TR	180-350



Part No. (with TS Spring option)	Ports BSPP	M.W.P. BAR Alum	M.W.P. BAR Steel	Dim. (mm)				Nom Flow l/min
				A	B	C	D	
VMP/B/L02-14/TS.S	1/4"	220	350	45	30	50	26.5	5
VMP/B/L03-14/TS.S	1/4"			60	30	60	53	10
VMP/B/L5-38/TS.S	3/8"			60	35	70	-	35
VMP/B/L5-12/TS.S	1/2"			60	35	70	-	35
VMP/B/L10-12/TS.S	1/2"			70	35	78	-	60
VMP/B/L10-34/TS.S	3/4"			70	40	90	-	60
VMP/B/L20-34/TS.S	3/4"			70	50	100	-	100
VMP/B/L20-100/TS.S	1"			85	60	120	-	100

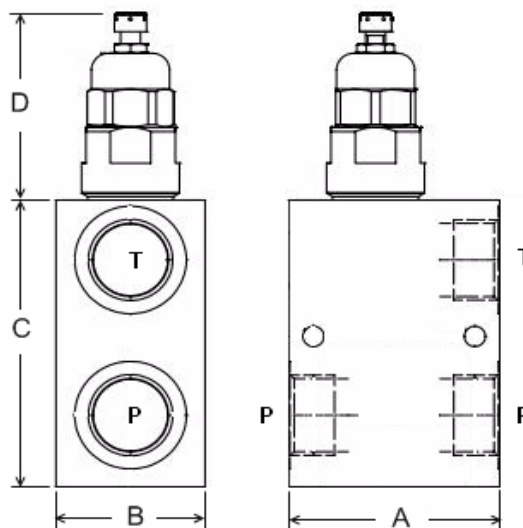
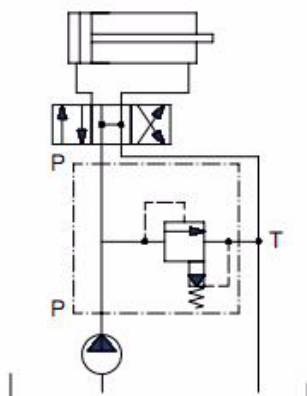
RELIEF VALVES

PILOT OPERATED

Aluminium body

NB: Steel bodied units available upon request - add suffix AC

Spring Range Options	
Code	bar
TB	5-40
TS	20-400



Part No. (with TS Spring option)	Ports BSPP	M.W.P. BAR Alum	M.W.P. BAR Steel	Dim. (mm)				Nom Flow L/min
				A	B	C	D	
VMPP/B/L10-12/TS.W	1/2"	220	400	70	40	90	56	70
VMPP/B/L20-34/TS.W	3/4"			85	60	120	61.5	120
VMPP/B/L20-100/TS.W	1"			85	60	120	61.5	120