

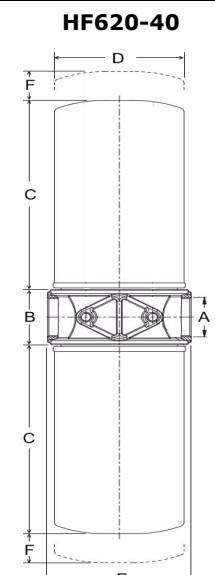
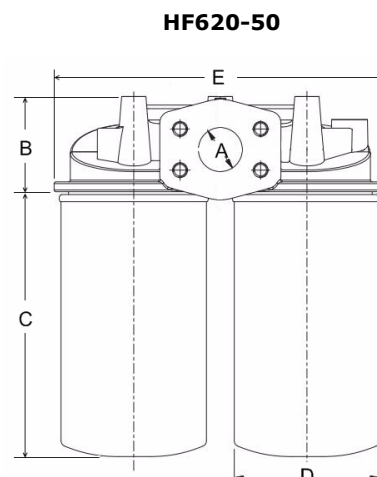
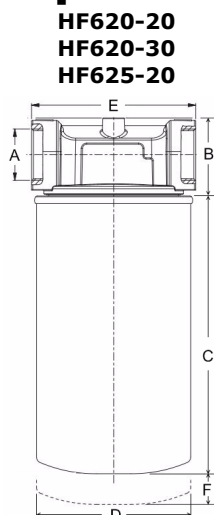
## Replacement Elements to suit HF620 Range



### HF620 Series - Max. Working Pressure 12bar

Part No.	Material	Micron $\mu\text{m}$	Beta Rating	Eff %
HEK45-20.135-FG010	Micro-Fibre Glass	10	$\beta_{10} \geq 200$	99.5%
HEK45-20.135-FG025	Micro-Fibre Glass	25	$\beta_{25} \geq 200$	99.5%
HEK45-20.135-SP010	Cellulose	10	$\beta_{10} \geq 2$	50%
HEK45-20.135-SP025	Cellulose	25	$\beta_{25} \geq 2$	50%
HEK45-20.135-MS090	Steel Mesh	90	$\beta_{90} \geq 75$	98.7%
HEK45-20.180-FG010	Micro-Fibre Glass	10	$\beta_{10} \geq 200$	99.5%
HEK45-20.180-FG025	Micro-Fibre Glass	25	$\beta_{25} \geq 200$	99.5%
HEK45-20.180-SP010	Cellulose	10	$\beta_{10} \geq 2$	50%
HEK45-20.180-SP025	Cellulose	25	$\beta_{25} \geq 2$	50%
HEK45-20.180-MS090	Steel Mesh	90	$\beta_{90} \geq 75$	98.7%
HEK45-30.155-FG010	Micro-Fibre Glass	10	$\beta_{10} \geq 200$	99.5%
HEK45-30.155-FG025	Micro-Fibre Glass	25	$\beta_{25} \geq 200$	99.5%
HEK45-30.155-SP010	Cellulose	10	$\beta_{10} \geq 2$	50%
HEK45-30.155-SP025	Cellulose	25	$\beta_{25} \geq 2$	50%
HEK45-30.155-MS090	Steel Mesh	90	$\beta_{90} \geq 75$	98.7%
HEK45-30.210-FG010	Micro-Fibre Glass	10	$\beta_{10} \geq 200$	99.5%
HEK45-30.210-FG025	Micro-Fibre Glass	25	$\beta_{25} \geq 200$	99.5%
HEK45-30.210-SP010	Cellulose	10	$\beta_{10} \geq 2$	50%
HEK45-30.210-SP025	Cellulose	25	$\beta_{25} \geq 2$	50%
HEK45-30.210-MS090	Steel Mesh	90	$\beta_{90} \geq 75$	98.7%

## Spin-On Filters Dimensional Data



Line Mount Filter	Dimensions					
	A(BSP)	B	C	D	E	F
HF620-20.135	3/4"	48.5	147	96	96	19.5
HF620-20.180	3/4"	48.5	209	96	96	19.5
HF620-30.155	1-1/4"	64	179	126	134	25
HF620-30.210	1-1/4"	64	227	126	134	25
HF620-40.155	1-1/2"	67	181	126	140	35
HF620-40.210	1-1/2"	67	229	126	140	35
HF620-50.155	1-1/2"	85	181	126	288	35
HF620-50.210	1-1/2"	85	229	126	288	35