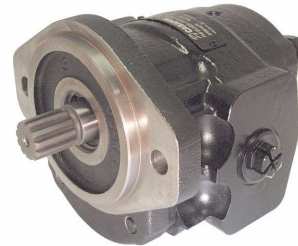
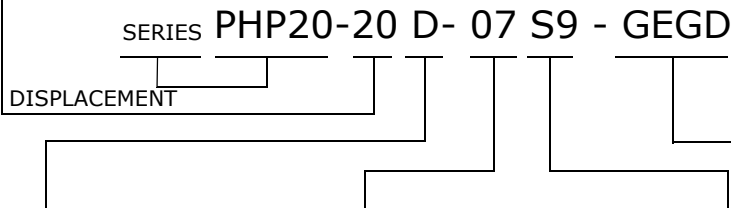


PHP20 - Group 2 SAE Mount Cast Iron Version Gear Pumps

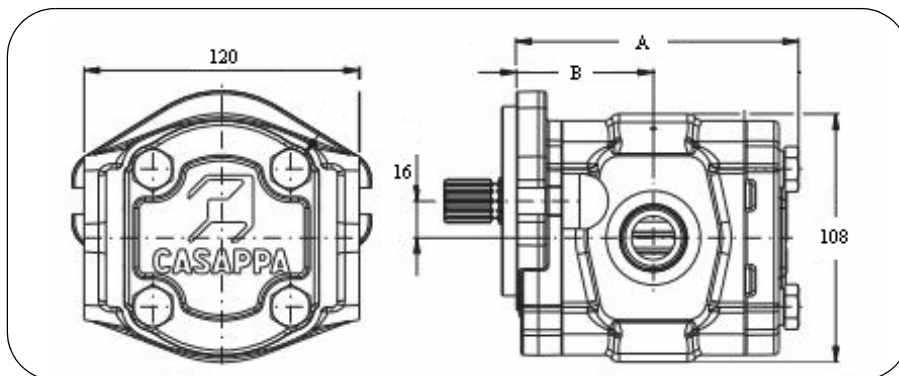
Polaris Series - Group 2
Mount : SAE A - 2 Bolt Mount
Shaft : Splined or Keyed
Ports : Threaded BSPP



Part No.	DISP. CC/REV	MAX PRESSURE BAR			MAX SHAFT SPEED	PORTS BSPP		DIM MM	
		P1	P2	P3		IN	OUT	A	B
PHP20-16D-07S9-GEGD	16.85	250	280	300	3500	3/4	1/2	113.1	54.8
PHP20-20D-07S9-GEGD	21.14	250	280	300	3500	3/4	1/2	119.5	58
PHP20-20D-04S5-GEGD	21.14	250	280	300	3500	3/4	1/2	119.5	58
PHP20-25D-07S9-GEGD	26.42	230	260	280	3000	1	1/2	127.5	62
PHP20-25D-04S5-GEGD	26.42	230	260	280	3000	1	1/2	127.5	62
PHP20-31.5D-07S9-GEGD	33.03	200	230	250	2500	1	1/2	137.5	67
PHP20-31.5D-04S9-GEGD	33.03	200	230	250	2500	1	1/2	137.5	67



Rotation Code	Shaft Code	Mount Code	Port Code
D = Clockwise	07 = 11 tooth spline 3/4"	S9 = SAE "A" 2 bolt mount	GD = 1/2" BSPP GE = 3/4" BSPP GF = 1" BSPP
	49 = 3/4" keyed		
S = Counterclockwise	04 = 13 TOOTH SPLINE 7/8"	S5 = SAE "B" 2 bolt mount	
	32 = 7/8" KEYED		



MULTIPLE PUMP PRICING
 use the price of each single pump plus assembly kit.

Assembly Kit	Inter. Plate	Assembly Kit	Inter. Plate
**PHP20/20	86S6	**PHP20/20/10	86S6 + 51T6
**PHP20/10	51T6	**PHP20/10/10	51T6 + 88V6
**PHP20/20/20	86S6 + 86S6	-	-